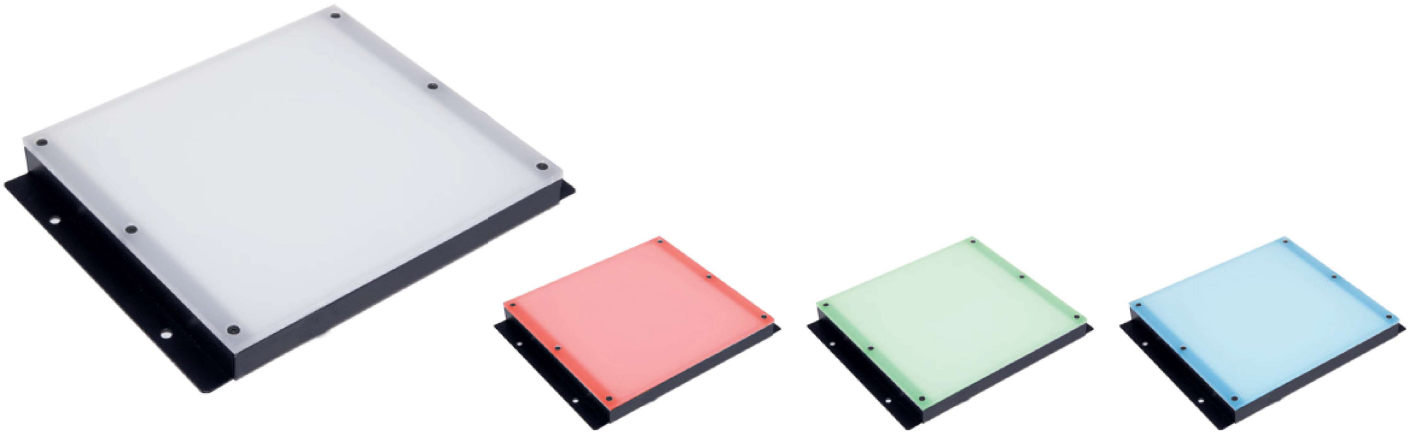


BACK LIGHT

SBL SERIES



PRODUCT LINE UP

Series	Part Number	Color	Wavelength/ Color Temp.	Power Consumption (W)	Options	Dimensions
SBL	SBL-30X30R	Red	635nm	1.6	- - -	Fig. 1
SBL	SBL-30X30G	Green	525nm	1.6	- - -	
SBL	SBL-30X30B	Blue	470nm	1.6	- - -	
SBL	SBL-30X30W	White	6,000k	1.6	- - -	
SBL	SBL-60X60R	Red	635nm	6.1	- - -	Fig. 2
SBL	SBL-60X60G	Green	525nm	6.1	- - -	
SBL	SBL-60X60B	Blue	470nm	6.1	- - -	
SBL	SBL-60X60W	White	6,000k	6.1	- - -	
SBL	SBL-120X120R	Red	635nm	20	- - -	Fig. 3
SBL	SBL-120X120G	Green	525nm	20	- - -	
SBL	SBL-120X120B	Blue	470nm	20	- - -	
SBL	SBL-120X120W	White	6,000k	20	- - -	
SBL	SBL-180X180R	Red	635nm	44	- - -	Fig. 4
SBL	SBL-180X180G	Green	525nm	44	- - -	
SBL	SBL-180X180B	Blue	470nm	44	- - -	
SBL	SBL-180X180W	White	6,000k	44	- - -	

SEMI-CUSTOMIZATION

30X30mm Module

Formula	SBL-30AX30BC
Factor A	A = x1 ~ 7 (maximum length is 210mm)
Factor B	B = x1 ~ 7 (maximum length is 210mm)
Factor C	C = R/G/B/W (choice of Red, Green, Blue or White)

DIMENSIONS (MM)

Fig. 1

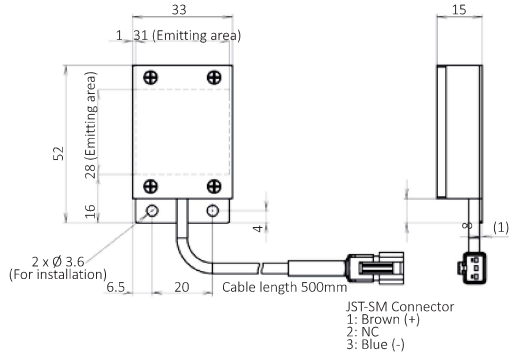


Fig. 2

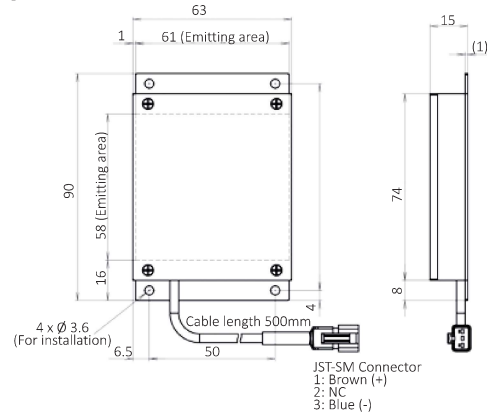


Fig. 3

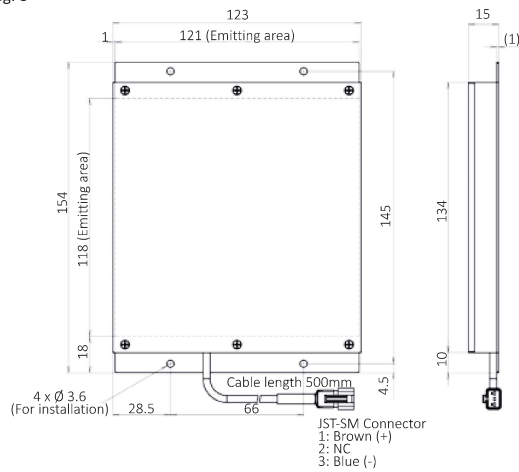
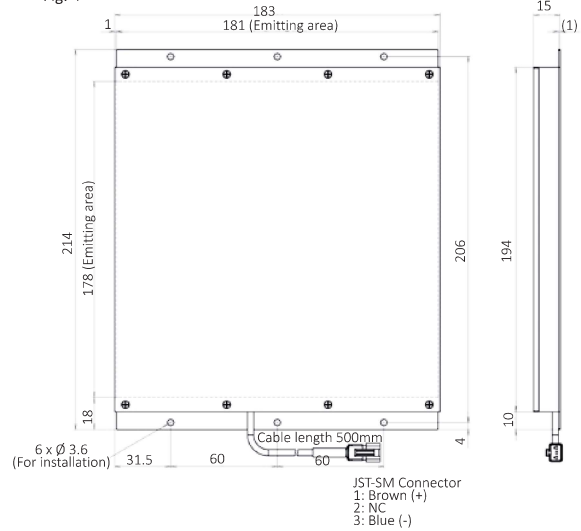
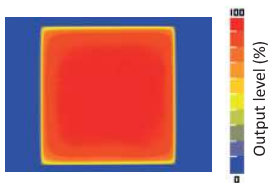


Fig. 4



TECHNICAL DATA

Uniformity Data SBL-120X120W



FLAT LIGHT

SPL & SPL-C40 SERIES



PRODUCT LINE UP

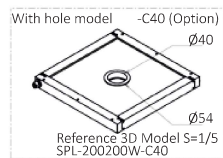
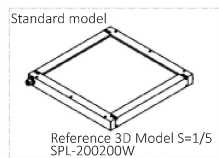
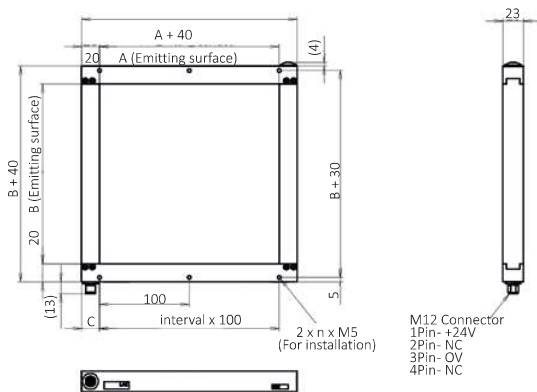
Series	Part Number	Color	Wavelength/ Color Temp.	Power Consumption (W)	Options	Dimensions
SPL	SPL-200X200R	Red	635nm	31	- - -	Fig. 1
SPL	SPL-200X200G	Green	525nm	31	- - -	
SPL	SPL-200X200B	Blue	470nm	31	- - -	
SPL	SPL-200X200W	White	6,000k	31	- - -	
SPL	SPL-300X300R	Red	635nm	46	- - -	Fig. 2
SPL	SPL-300X300G	Green	525nm	46	- - -	
SPL	SPL-300X300B	Blue	470nm	46	- - -	
SPL	SPL-300X300W	White	6,000k	46	- - -	
SPL	SPL-400X400R	Red	635nm	61	- - -	Fig. 3
SPL	SPL-400X400G	Green	525nm	61	- - -	
SPL	SPL-400X400B	Blue	470nm	61	- - -	
SPL	SPL-400X400W	White	6,000k	61	- - -	
SPL	SPL-500X400R	Red	635nm	76	- - -	Fig. 4
SPL	SPL-500X400G	Green	525nm	76	- - -	
SPL	SPL-500X400B	Blue	470nm	76	- - -	
SPL	SPL-500X400W	White	6,000k	76	- - -	
SPL	SPL-600X400R	Red	635nm	91	- - -	Fig. 5
SPL	SPL-600X400G	Green	525nm	91	- - -	
SPL	SPL-600X400B	Blue	470nm	91	- - -	
SPL	SPL-600X400W	White	6,000k	91	- - -	

Series	Part Number	Color	Wavelength/ Color Temp.	Power Consumption (W)	Options	Dimensions
SPL-C40	SPL-200X200R-C40	Red	635nm	31	- - -	Fig. 6
SPL-C40	SPL-200X200G-C40	Green	525nm	31	- - -	
SPL-C40	SPL-200X200B-C40	Blue	470nm	31	- - -	
SPL-C40	SPL-200X200W-C40	White	6,000k	31	- - -	
SPL-C40	SPL-300X300R-C40	Red	635nm	46	- - -	Fig. 7
SPL-C40	SPL-300X300G-C40	Green	525nm	46	- - -	
SPL-C40	SPL-300X300B-C40	Blue	470nm	46	- - -	
SPL-C40	SPL-300X300W-C40	White	6,000k	46	- - -	
SPL-C40	SPL-400X400R-C40	Red	635nm	61	- - -	Fig. 8
SPL-C40	SPL-400X400G-C40	Green	525nm	61	- - -	
SPL-C40	SPL-400X400B-C40	Blue	470nm	61	- - -	
SPL-C40	SPL-400X400W-C40	White	6,000k	61	- - -	
SPL-C40	SPL-500X400R-C40	Red	635nm	76	- - -	Fig. 9
SPL-C40	SPL-500X400G-C40	Green	525nm	76	- - -	
SPL-C40	SPL-500X400B-C40	Blue	470nm	76	- - -	
SPL-C40	SPL-500X400W-C40	White	6,000k	76	- - -	
SPL-C40	SPL-600X400R-C40	Red	635nm	91	- - -	Fig. 10
SPL-C40	SPL-600X400G-C40	Green	525nm	91	- - -	
SPL-C40	SPL-600X400B-C40	Blue	470nm	91	- - -	
SPL-C40	SPL-600X400W-C40	White	6,000k	91	- - -	

SEMI-CUSTOMIZATION

50X50mm Module

Formula	SPL-50AX50BC
Factor A	A = x4 ~ 24 (minimum length 200mm and maximum length is 1,200mm)
Factor B	B = x4 ~ 20 (minimum length 200mm and maximum length is 1,000mm)
Factor C	C = R/G/B/W (choice of Red, Green, Blue or White)



Part Number	A	B	C	n	Power Consumption
SPL-250200x	250	200	45	3	38
SPL-300200x	300	200	20	4	46
SPL-350200x	350	200	45	4	53
SPL-400200x	400	200	20	5	61
SPL-450200x	450	200	45	5	69
SPL-500200x	500	200	20	6	76
SPL-550200x	550	200	45	6	84
SPL-600200x	600	200	20	7	91
SPL-250250x	250	250	45	3	38
SPL-300250x	300	250	20	4	46
SPL-350250x	350	250	45	4	53
SPL-400250x	400	250	20	5	61
SPL-450250x	450	250	45	5	69
SPL-500250x	500	250	20	6	76
SPL-550250x	550	250	45	6	84
SPL-600250x	600	250	20	7	91
SPL-350300x	350	300	20	4	53
SPL-400300x	400	300	45	5	61
SPL-450300x	450	300	20	5	69
SPL-500300x	500	300	45	6	76
SPL-550300x	550	300	20	6	84
SPL-600300x	600	300	45	7	91
SPL-350350x	350	350	20	4	53
SPL-400350x	400	350	45	5	61
SPL-450350x	450	350	20	5	69
SPL-500350x	500	350	45	6	76
SPL-550350x	550	350	20	6	84
SPL-600350x	600	350	45	7	91
SPL-450400x	450	400	45	5	69
SPL-550400x	550	400	45	6	84

x= R, G, B, W

Camera hole

Size of hole	Possible to change. Please consult CCS sales engineer.
No of hole	Possible to add. Please consult CCS sales engineer.
Position of hole	Possible to change. Please consult CCS sales engineer.

DIMENSIONS (MM)

Fig. 1

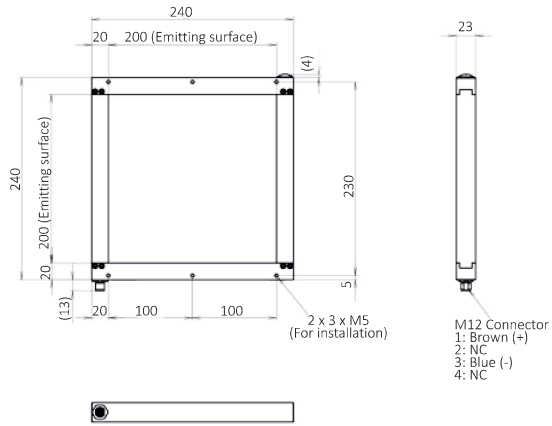


Fig. 2

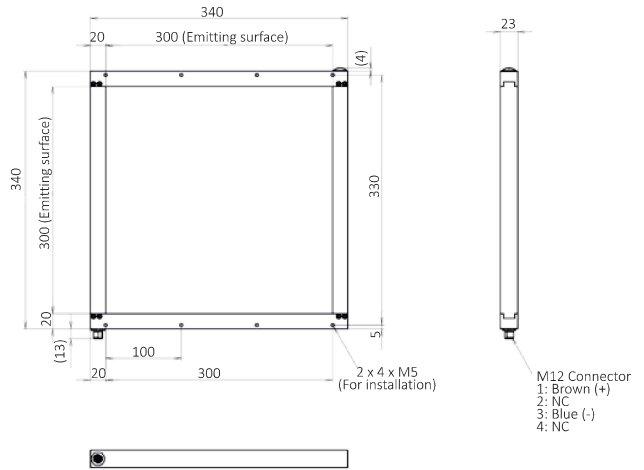


Fig. 3

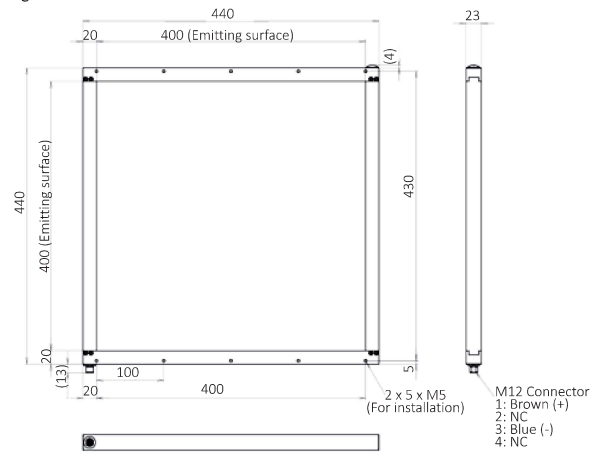


Fig. 4

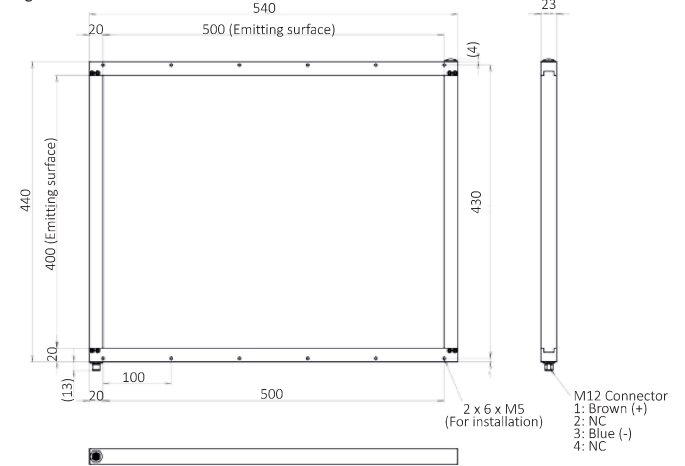


Fig. 5

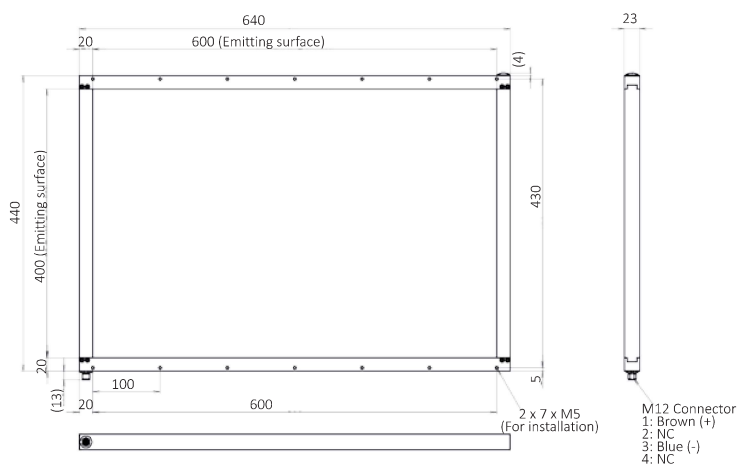


Fig. 6

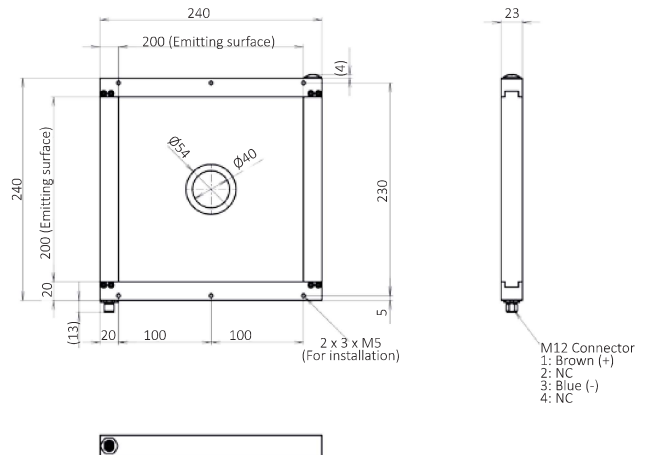


Fig. 7

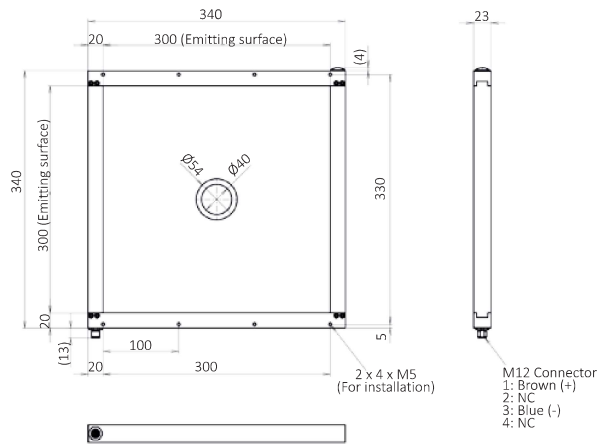


Fig. 8

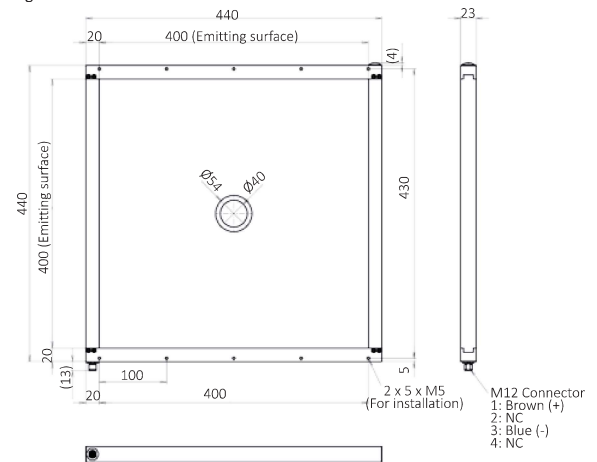


Fig. 9

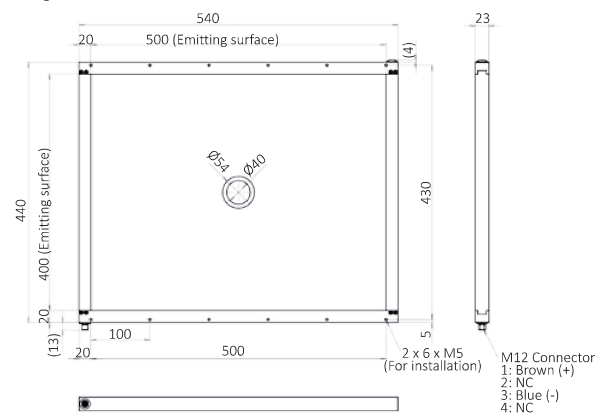
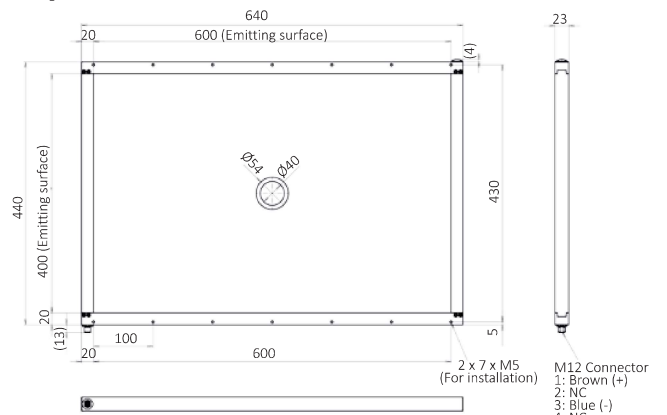
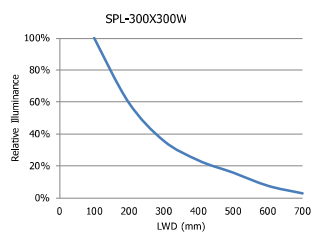


Fig. 10



TECHNICAL DATA

Illuminance Graph (Relative Illuminance)



Uniformity Data SPL-300X300W / SPL-300X300W-C40

