

**NEAR-AXIS HIGH ANGLE RING LIGHT**

**SR SERIES**



**PRODUCT LINE UP**

Series	Part Number	Color	Wavelength/ Color Temp.	Power Consumption (W)	Options			Dimensions
SR	SR-32R	Red	630nm	1.6	D*	P*	A	Fig. 1
SR	SR-32G	Green	525nm	1.6	D*	P*	A	
SR	SR-32B	Blue	470nm	1.6	D*	P*	A	
SR	SR-32W	White	5,500k	2.6	D*	P*	A	
SR	SR-32IR	Infrared	940nm	1.6	D*	P*	A	
SR	SR-42R	Red	630nm	2.2	D*	P*	A	Fig. 2
SR	SR-42G	Green	525nm	2.2	D*	P*	A	
SR	SR-42B	Blue	470nm	2.2	D*	P*	A	
SR	SR-42W	White	5,500k	3.2	D*	P*	A	
SR	SR-42IR	Infrared	940nm	2.2	D*	P*	A	
SR	SR-50R	Red	630nm	3.1	D*	P*	A	Fig. 3
SR	SR-50G	Green	525nm	3.1	D*	P*	A	
SR	SR-50B	Blue	470nm	3.1	D*	P*	A	
SR	SR-50W	White	5,500k	4.7	D*	P*	A	
SR	SR-50IR	Infrared	940nm	3.1	D*	P*	A	
SR	SR-70R	Red	630nm	5.8	D*	P*	A	Fig. 4
SR	SR-70G	Green	525nm	5.8	D*	P*	A	
SR	SR-70B	Blue	470nm	5.8	D*	P*	A	
SR	SR-70W	White	5,500k	7.8	D*	P*	A	
SR	SR-70IR	Infrared	940nm	5.8	D*	P*	A	
SR	SR-90R	Red	630nm	11	D*	P*	A	Fig. 5
SR	SR-90G	Green	525nm	11	D*	P*	A	
SR	SR-90B	Blue	470nm	11	D*	P*	A	
SR	SR-90W	White	5,500k	13	D*	P*	A	
SR	SR-90IR	Infrared	940nm	11	D*	P*	A	

Note: The following codes are used to indicate the options.  
 - D = Diffuser, P = Polarizer, A = Adapter  
 - \* = Requires adapter

OPTIONS

Diffuser		Polarizer		Adapter	
Part Number	Applicable LED Unit	Part Number	Applicable LED Unit	Part Number	Applicable LED Unit
DF-LDR-32	SR-32x	PL-LDR-32	SR-32x	AD-LDR-32	SR-32x
DF-LDR-42	SR-42x	PL-LDR-42	SR-42x	AD-LDR-42	SR-42x
DF-LDR-50	SR-50x	PL-LDR-50	SR-50x	AD-LDR-50	SR-50x
DF-LDR-70	SR-70x	PL-LDR-70	SR-70x	AD-LDR-70	SR-70x
DF-LDR-90	SR-90x	PL-LDR-90	SR-90x	AD-LDR-90	SR-90x

DIMENSIONS (MM)

Fig. 1

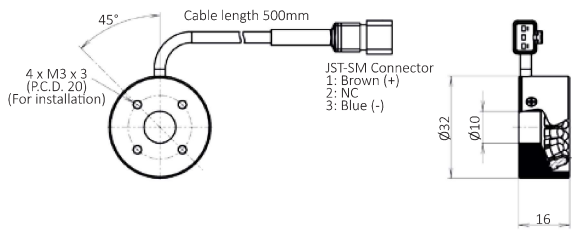


Fig. 2

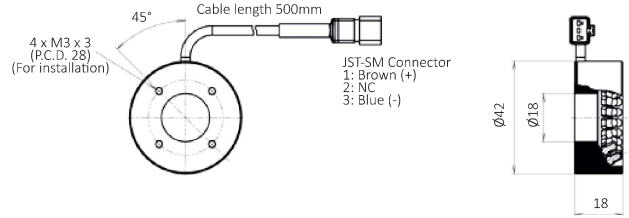


Fig. 3

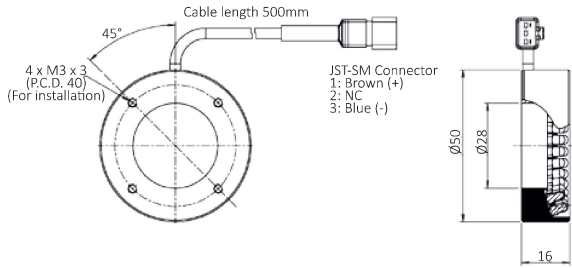


Fig. 4

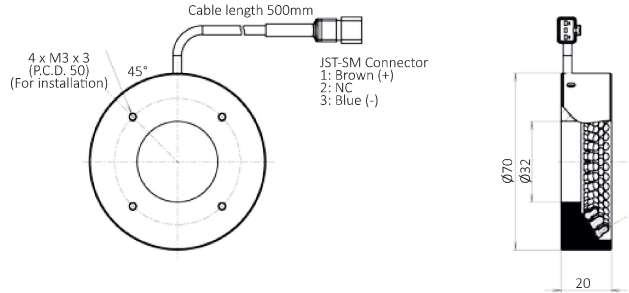
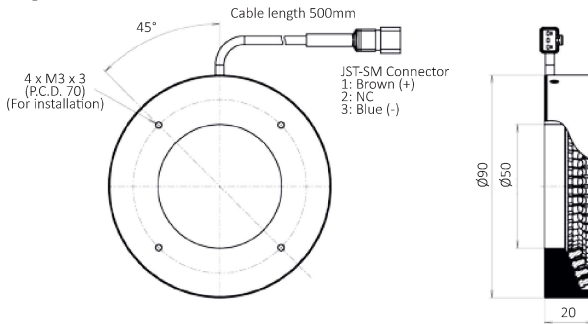
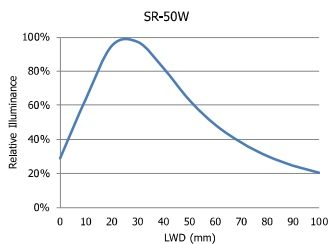


Fig. 5



TECHNICAL DATA

Illuminance Graph (Relative Illuminance)



Uniformity Data SR-50W

