

OFF-AXIS LOW ANGLE RING LIGHT

SRL SERIES



PRODUCT LINE UP

Series	Part Number	Color	Wavelength/ Color Temp.	Power Consumption (W)	Options	Dimensions
SRL	SRL-74R	Red	630nm	4.6	D - -	Fig. 1
SRL	SRL-74G	Green	525nm	4.6	D - -	
SRL	SRL-74B	Blue	470nm	4.6	D - -	
SRL	SRL-74W	White	5,500k	7.8	D - -	
SRL	SRL-74IR	Infrared	940nm	4.6	D - -	
SRL	SRL-100R	Red	630nm	9.1	D - -	Fig. 2
SRL	SRL-100G	Green	525nm	9.1	D - -	
SRL	SRL-100B	Blue	470nm	9.1	D - -	
SRL	SRL-100W	White	5,500k	16	D - -	
SRL	SRL-100IR	Infrared	940nm	9.1	D - -	
SRL	SRL-132R	Red	630nm	13	D - -	Fig. 3
SRL	SRL-132G	Green	525nm	13	D - -	
SRL	SRL-132B	Blue	470nm	13	D - -	
SRL	SRL-132W	White	5,500k	20	D - -	
SRL	SRL-132IR	Infrared	940nm	13	D - -	
SRL	SRL-208R	Red	630nm	22	D - -	Fig. 4
SRL	SRL-208G	Green	525nm	22	D - -	
SRL	SRL-208B	Blue	470nm	22	D - -	
SRL	SRL-208W	White	5,500k	33	D - -	
SRL	SRL-208IR	Infrared	940nm	22	D - -	

Note: The following codes are used to indicate the options.
- D = Diffuser

OPTIONS

Diffuser	
Part Number	Applicable LED Unit
DF-LDR-74LA	SRL-74x
DF-LDR-100LA	SRL-100x
DF-LDR-132LA	SRL-132x
DF-LDR-208LA	SRL-208x

DIMENSIONS (MM)

Fig. 1

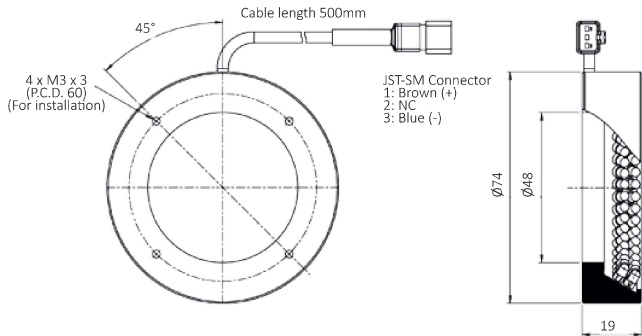


Fig. 2

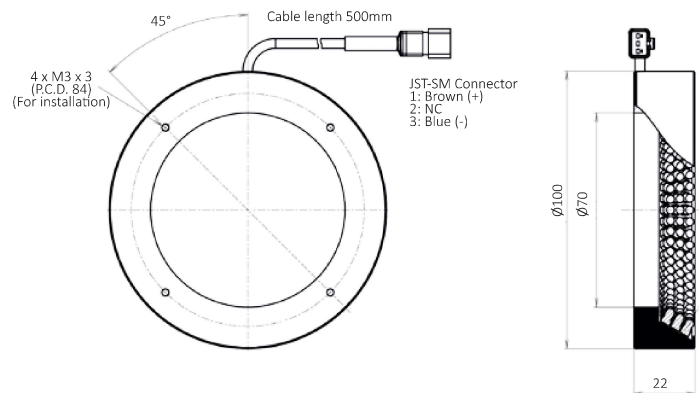


Fig. 3

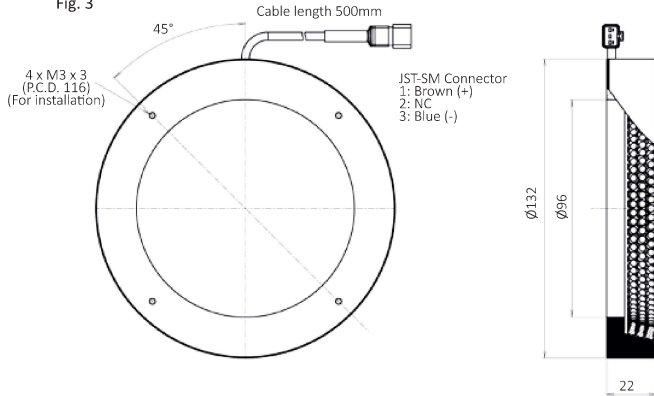
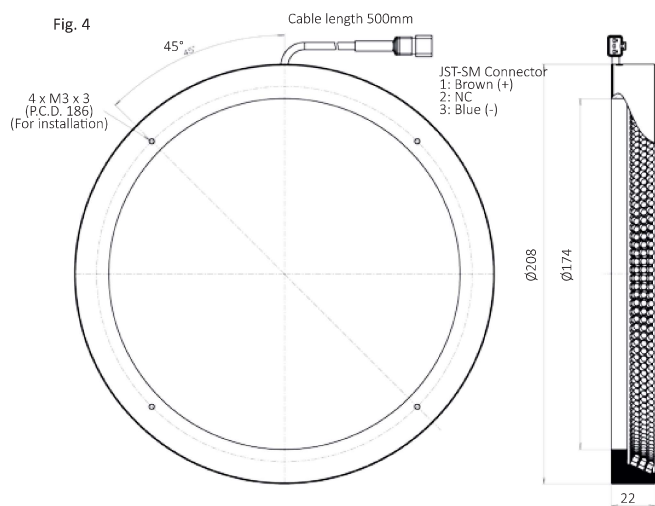
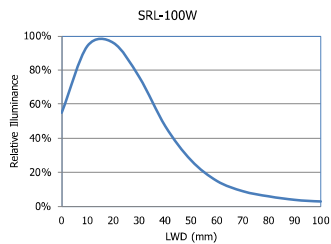


Fig. 4



TECHNICAL DATA

Illuminance Graph (Relative Illuminance)



Uniformity Data SRL-100W

